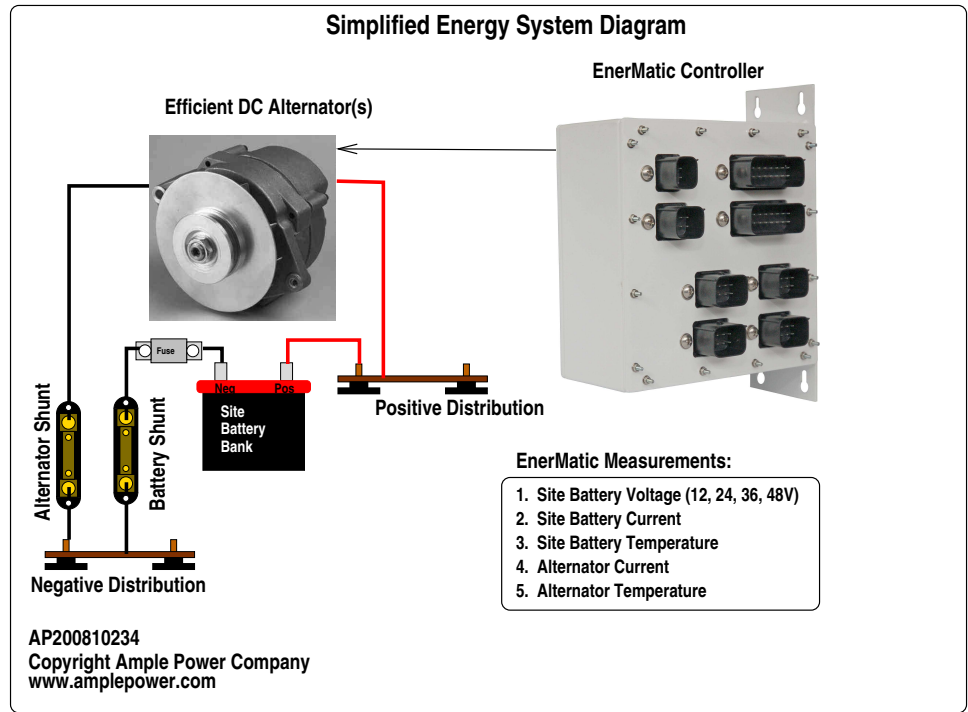




Energy efficiency has *always* been a key design criteria for Ample Power products.

Featured Product . . . EnerMatic System



The EnerMatic System provides automatic, unattended management and monitoring functions for an energy system. Engine driven generator(s) are started and stopped, based on the needs of the site battery bank and the availability of other charge sources, such as solar.

The EnerMatic Controller provides signals to control solar panels and wind generators.

By adding a web server or GSM modem, the site can be monitored from remote locations, and even operated *manually* via the Internet.